



D fenders

D FENDERS



D fenders are the commonly used rubber bumpers across the world and they are produced by means of extrusion in an extensive range of designs and sizes. The flat back of this type of fender facilitates the easy installation of D fenders on various surfaces for the protection of ships and docks.

Types

There are three standard types of D fenders available:

- DD fender. Provided with a D-shaped inner chamber
- DC fender. Provided with an O-shaped inner chamber
- DS fender. Without an inner chamber

FenderTec produces a wide range of D fenders in the most common sizes. D fenders are kept in stock in all sizes for fast delivery. Non-standard sizes and customer specific versions can also be produced with short lead times. Smaller D fenders are also available in longer lengths and in various colours (non-marking).

Processes

D fenders can be fitted by means of bolts and or strips in various manners: horizontally, vertically or diagonally. The mounting holes required are made through the side or through the top and bottom of the fender. FenderTec finishes the fenders in accordance with your requirements

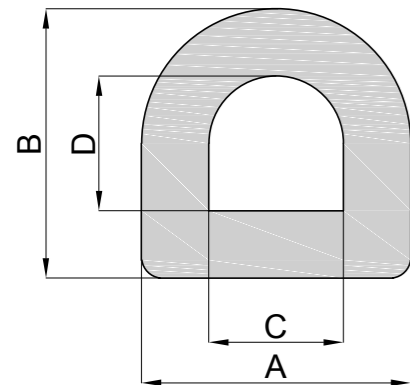
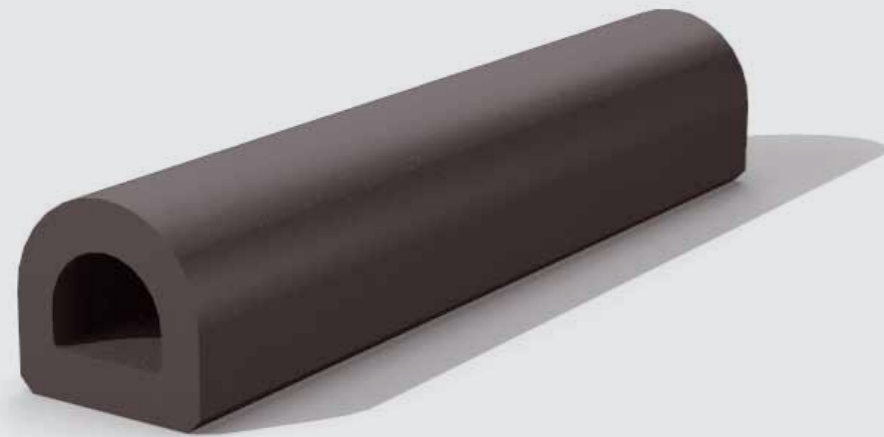
and drawings. D fenders can also be produced vulcanized with required radiuses, which allow them to be fitted properly to a circular bow or stern. D fenders can be provided in specified lengths and the ends can be bevelled.

Applications

D fenders are widely used in various sizes and designs on:

- workboats
- tugboats
- pilot boats
- fishing boats
- pontoons
- quays
- piers
- loading bays
- car parks trucks
- building interiors





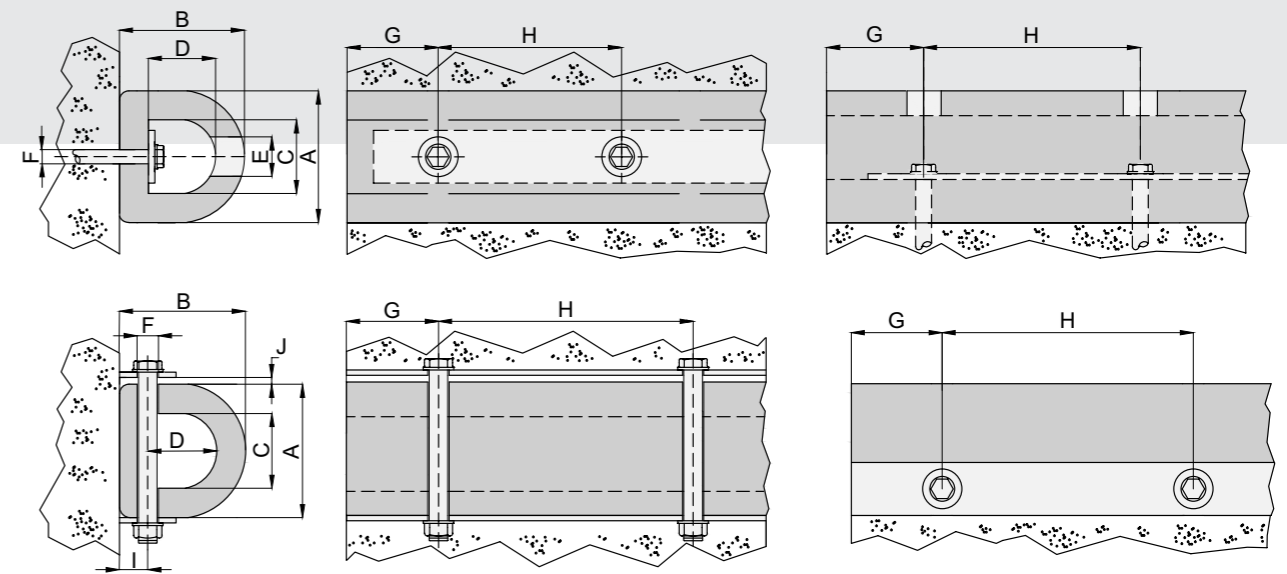
Standard dimensions

A (mm)	B (mm)	C (mm)	D (mm)	Weight (kg/m)
42	27	27	13	1
50	60	20	30	3
80	70	50	30	5
100	95	60	48	8
125	125	60	60	13.5
150	150	75	75	19
200	150	100	80	24
200	200	100	100	34
250	200	125	100	41
250	250	125	125	53
300	300	150	150	76
350	350	175	175	103
380	380	190	190	122
400	400	200	200	136
500	500	250	250	210

Other non-standard dimensions available on request.

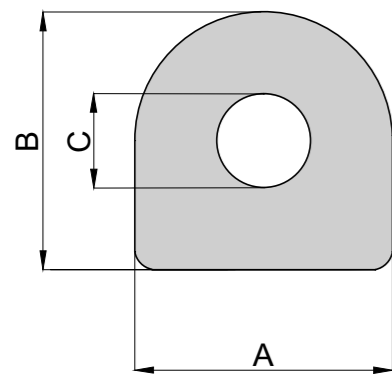


Mounting method and dimensions



A (mm)	B (mm)	C (mm)	D (mm)	E (mm)	F (mm)	G	H	I (mm)	J (mm)	Flat bar	Bolt size
42	27	27	13	20	10	70-110	150-250	15	6	15x3	M8
50	60	20	30	20	10	70-110	150-250	20	8	15x3	M8
80	70	50	30	30	15	90-130	200-300	20	8	35 x5	M12
100	95	60	48	30	15	90-130	200-300	25	10	40 x5	M12
125	125	60	60	40	20	110-150	250-300	25	10	50 x6	M16
150	150	75	75	40	20	110-150	250-300	30	12	60 x8	M16
200	150	100	80	50	25	130-180	300-400	35	12	80 x 10	M20
200	200	100	100	50	25	130-180	300-400	45	15	80 x 10	M20
250	200	125	100	60	30	140-200	350-450	50	15	90 x 12	M24
250	250	125	125	60	30	140-200	350-450	50	20	90 x 12	M24
300	300	150	150	60	30	140-200	350-450	60	25	110 x 12	M24
350	350	175	175	75	35	140-200	350-450	70	25	130 x 15	M30
380	380	190	190	75	35	140-200	350-450	80	30	140 x 15	M30
400	400	200	200	75	35	140-200	350-450	80	30	150 x 15	M30
500	500	250	250	90	45	160-230	400-500	100	30	180 x 20	M36

General guidelines for mounting. For reference purposes only.



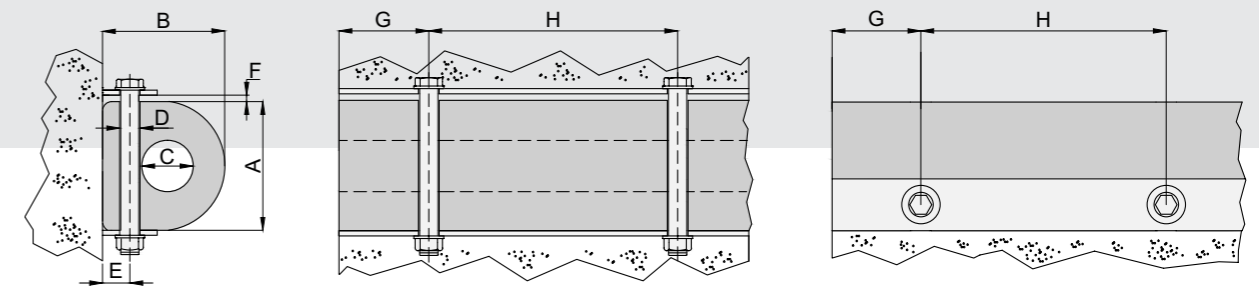
Standard dimensions

A (mm)	B (mm)	C (mm)	Weight (kg/m)
100	100	30	10.1
150	150	65	20.6
200	200	75	38.5
250	250	100	59.0
300	300	125	83.7
350	350	150	113
400	400	200	137
500	500	250	214

Other non-standard dimensions available on request.



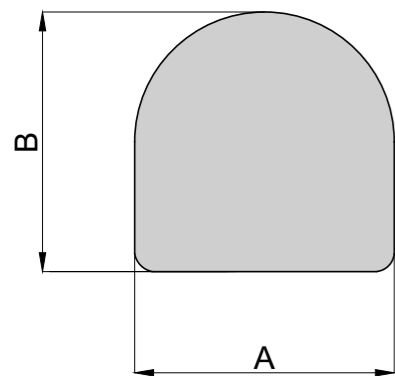
Mounting method and dimensions



A (mm)	B (mm)	C (mm)	D (mm)	E (mm)	F (mm)	G	H	Flat bar	Bolt size
100	100	30	15	25	10	90-130	200-300	50 x 6	M12
150	150	65	20	30	12	110-150	250-350	60 x 8	M16
200	200	75	25	45	15	130-180	300-400	80 x 10	M20
250	250	100	30	50	20	140-200	350-450	100 x 10	M24
300	300	125	30	60	25	140-200	350-450	110 x 12	M24
350	350	150	35	70	25	140-200	350-450	120 x 12	M30
400	400	200	35	80	30	140-200	350-450	130 x 15	M30
500	500	250	35	100	30	140-200	350-450	130 x 15	M36

General guidelines for mounting. For reference purposes only.





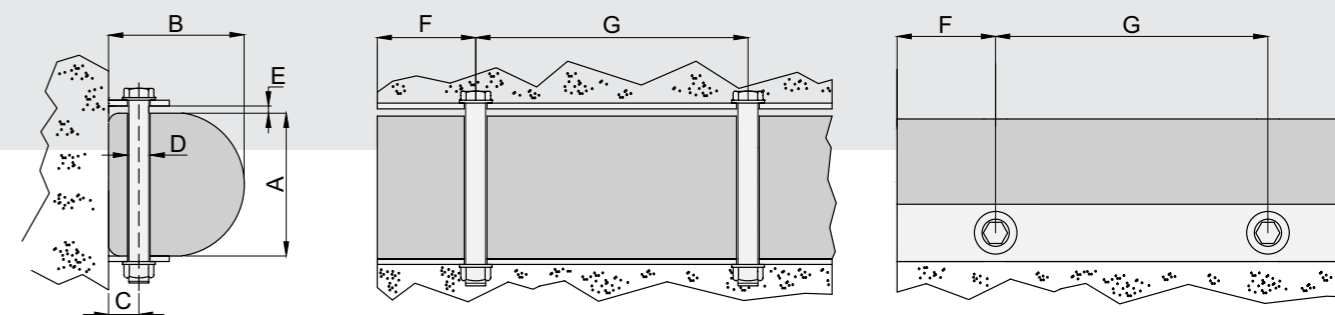
Standard dimensions

A (mm)	B (mm)	Weight (kg/m)
100	100	11.0
150	150	24.8
200	200	44.2
250	250	69.0
300	300	99.4
350	350	135.2
400	400	176.6

Other non-standard dimensions available on request.



Mounting method and dimensions



A (mm)	B (mm)	C (mm)	D (mm)	E (mm)	F	G	Flat bar	Bolt size
100	100	25	15	10	90-130	200-300	50 x 6	M12
150	150	30	20	12	110-150	250-350	60 x 8	M16
200	200	45	25	15	130-180	300-400	80 x 10	M20
250	250	50	30	20	140-200	350-450	100 x 10	M24
300	300	60	30	25	140-200	350-450	110 x 12	M24
350	350	70	35	25	140-200	350-450	120 x 12	M30
400	400	80	35	30	140-200	350-450	130 x 15	M30

General guidelines for mounting. For reference purposes only.

Your local representative:

